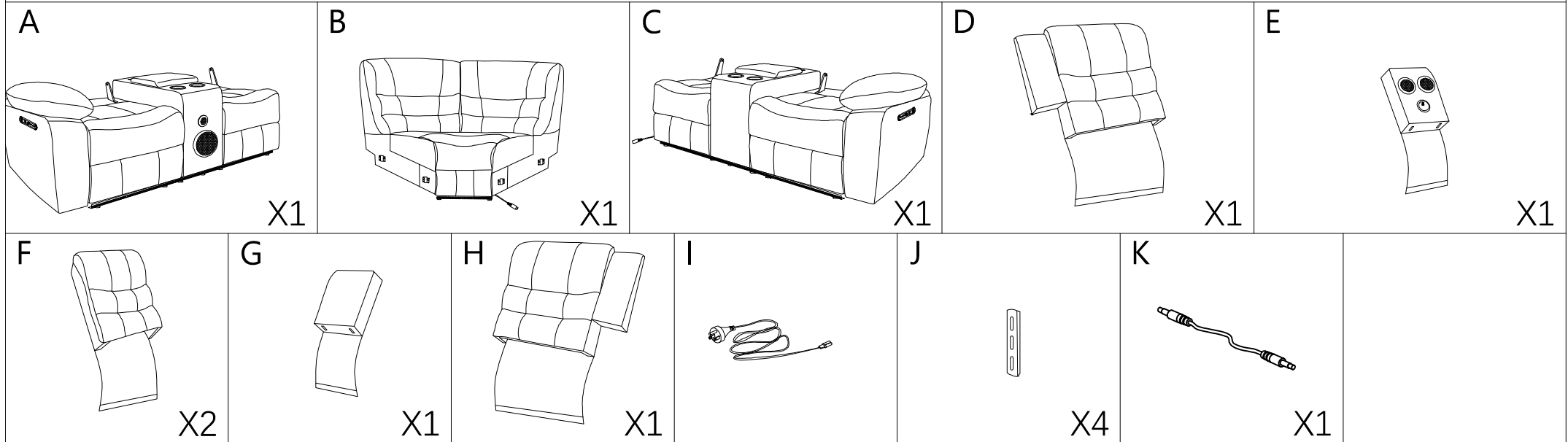
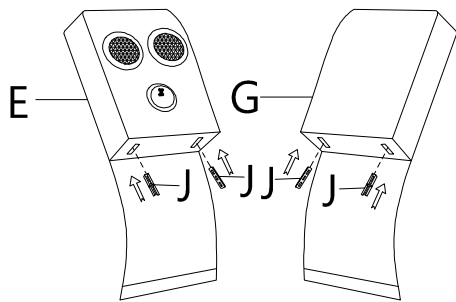


ASSEMBLY INSTRUCTION

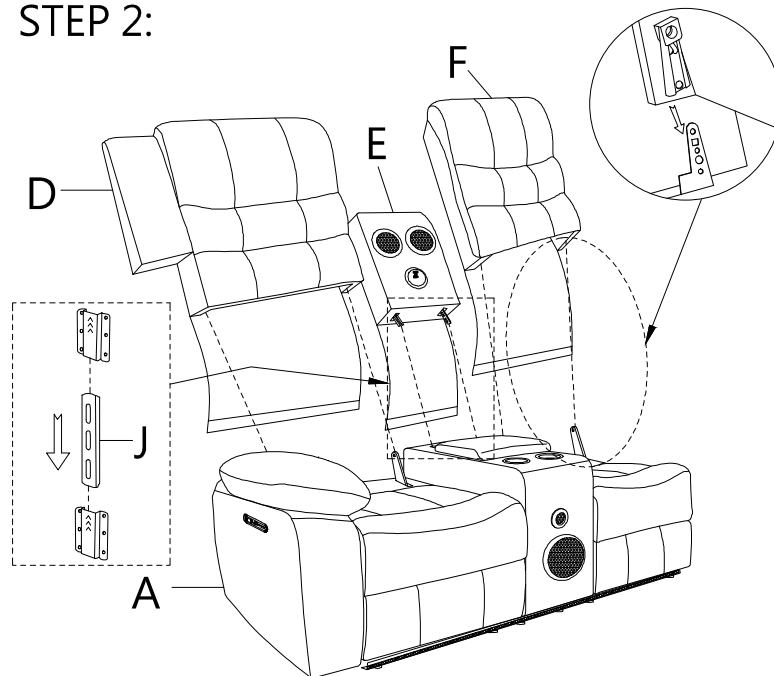
PARTS



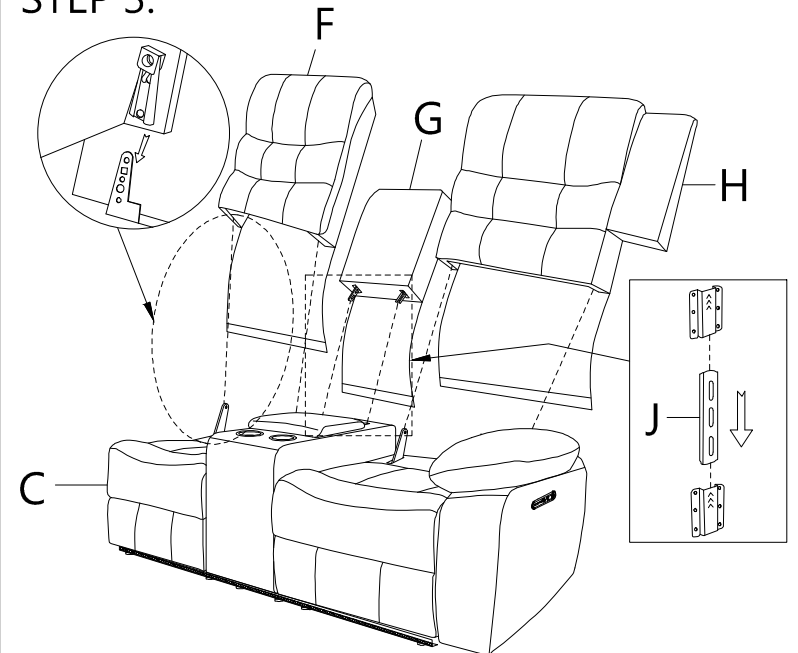
STEP 1:



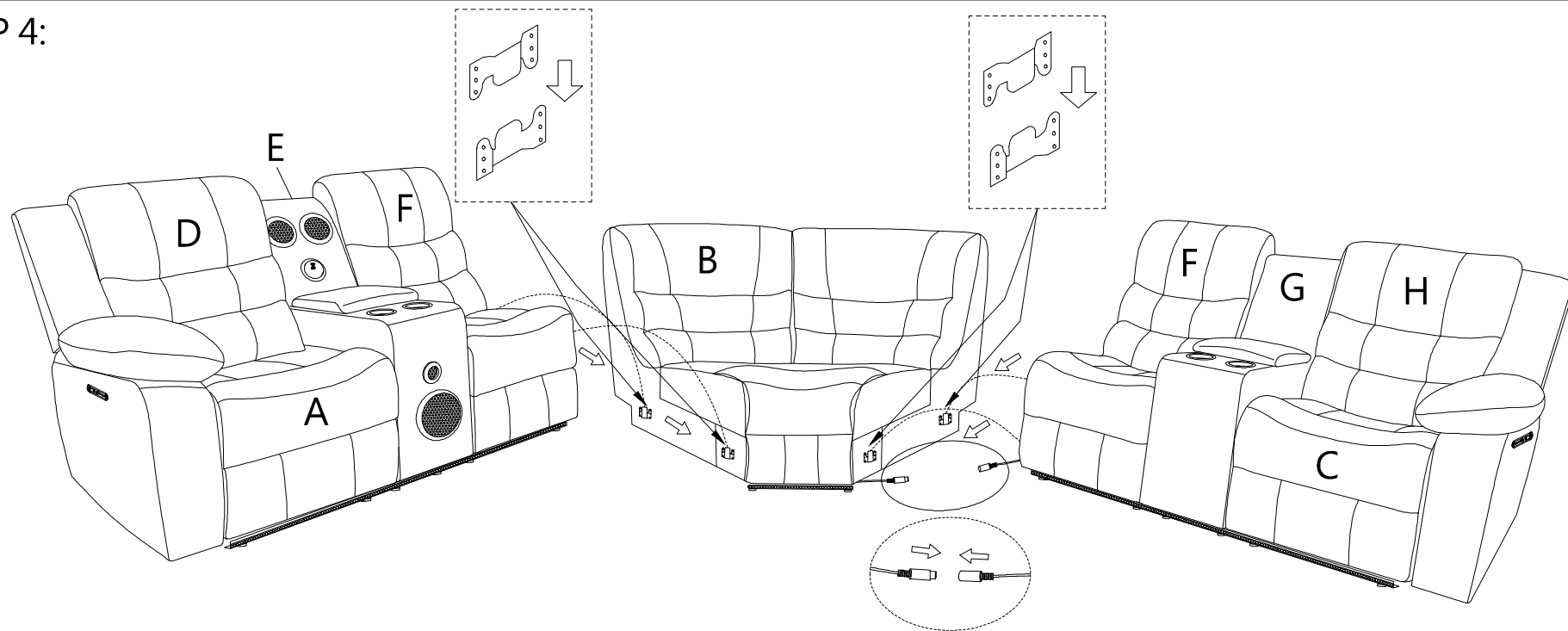
STEP 2:



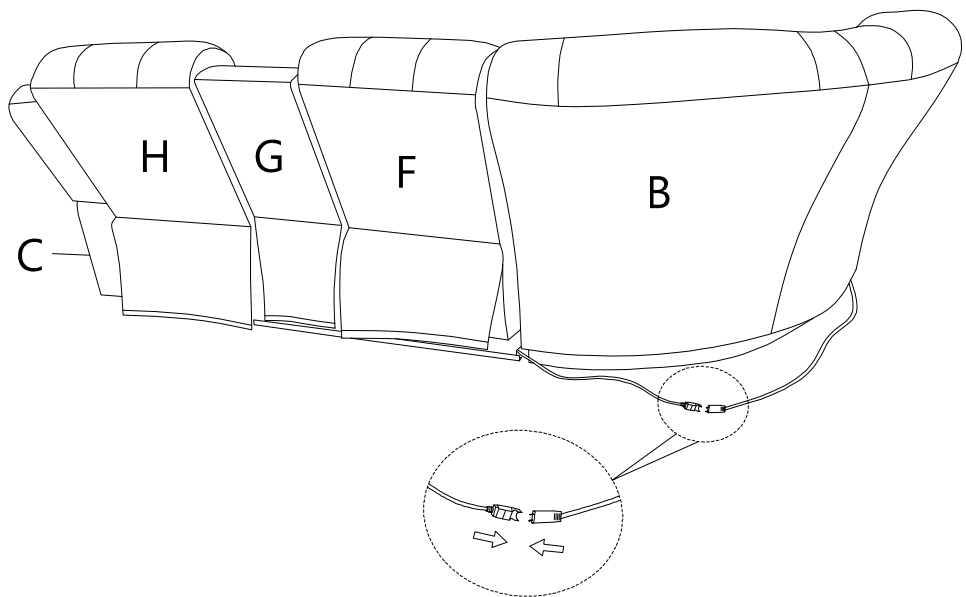
STEP 3:



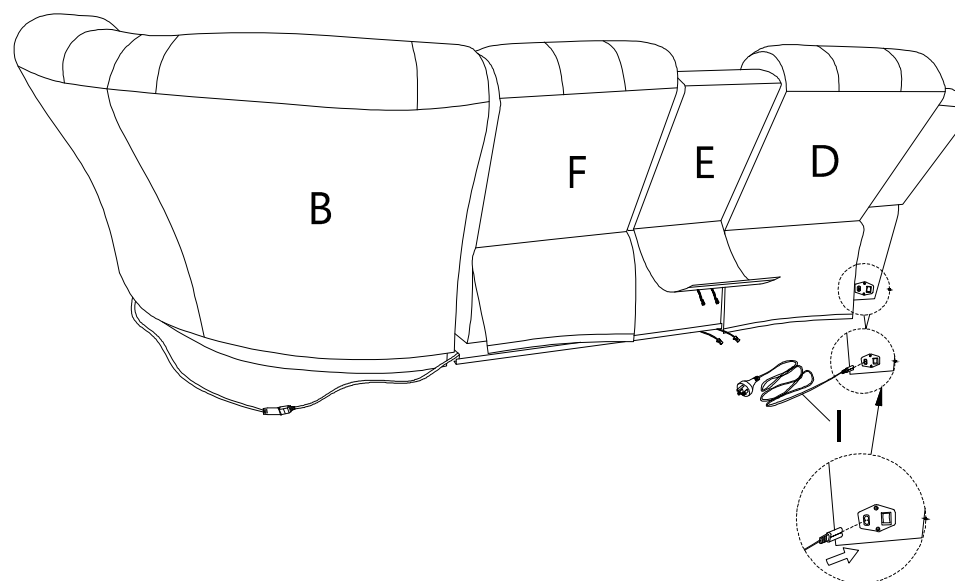
STEP 4:



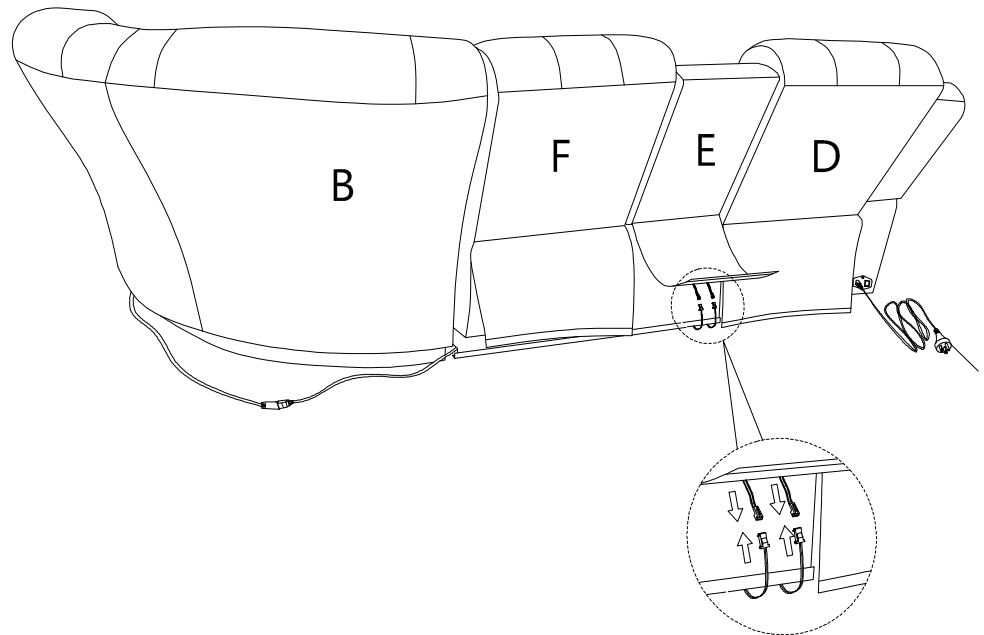
STEP 5:



STEP 6:



STEP 7:



STEP 8:

